

4

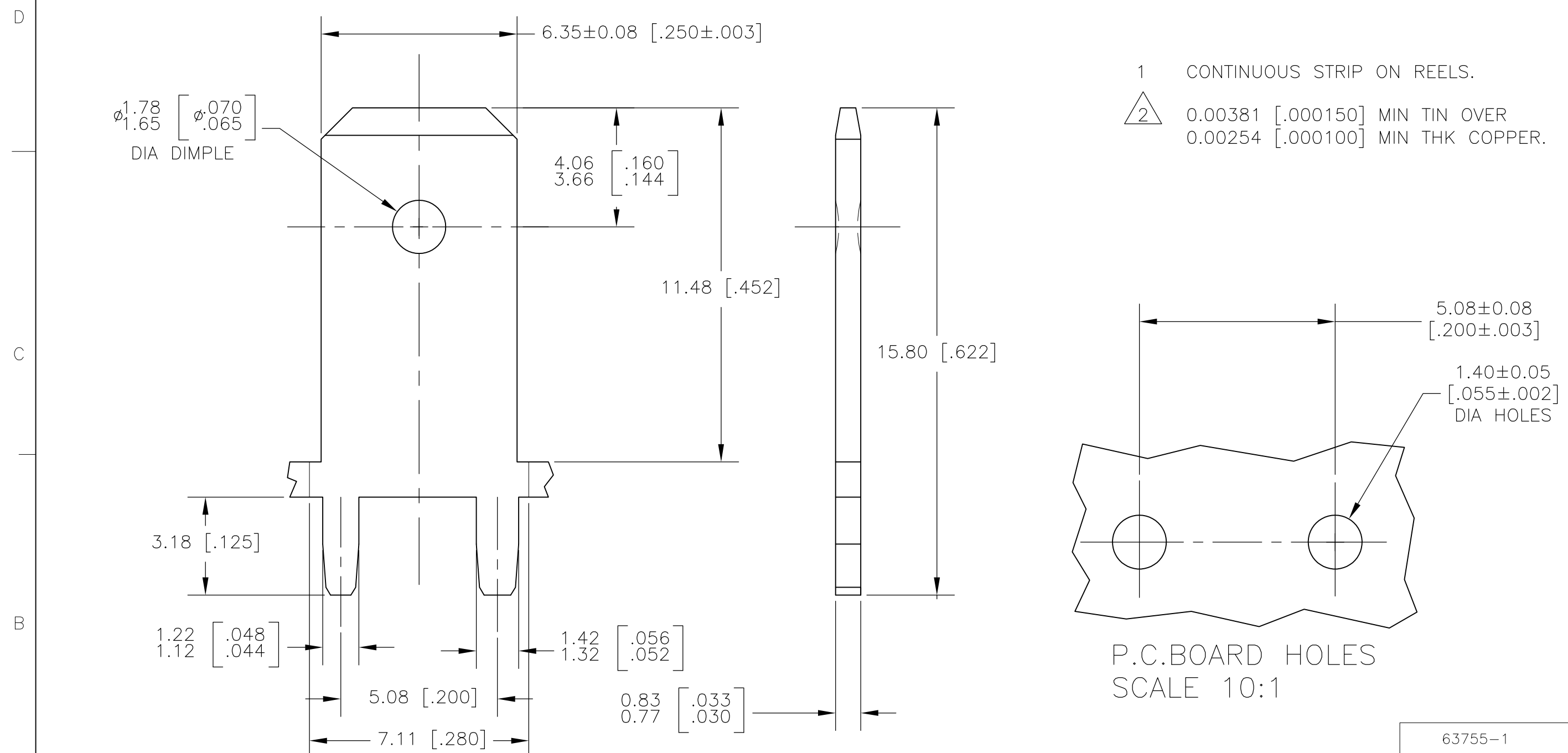
3

2

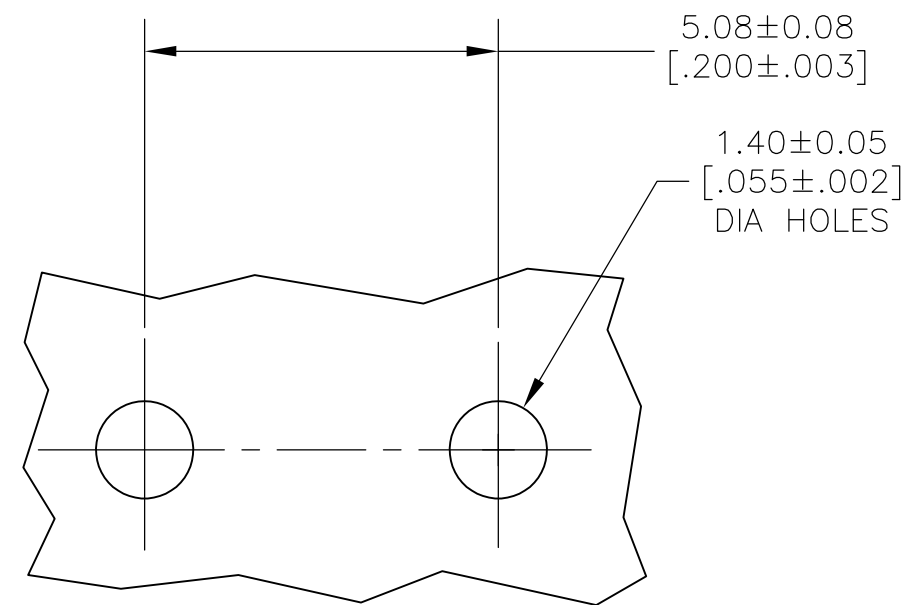
1

THIS DRAWING IS UNPUBLISHED. RELEASED FOR PUBLICATION
 © COPYRIGHT - By - ALL RIGHTS RESERVED.

| LOC | DIST | REVISIONS | | | |
|-----|------|-------------|---------------------------|---------|-------|
| P | LTR | DESCRIPTION | DATE | DWN | APVD |
| AF | 50 | F | REVISED PER ECR-13-001204 | 21JUN13 | KH PD |



1 CONTINUOUS STRIP ON REELS.
 2 0.00381 [.000150] MIN TIN OVER
 0.00254 [.000100] MIN THK COPPER.



63755-1
 PART NUMBER

| | | | | | | | | | | | | | |
|---|-------|--------------|-----------------|---------|---------------------|---|-----------|------------|---------------|-------|--------|-----|---|
| THIS DRAWING IS A CONTROLLED DOCUMENT. | | DWN | JR RUTH | 30NOV00 | TE Connectivity | NAME | | | RESTRICTED TO | | | | |
| DIMENSIONS: mm[INCHES] | | CHK | MS FEHER | 30NOV00 | | TAB, FASTON, PC BOARD, 6.35 [.250] SERIES | | | | | | | |
| TOLERANCES UNLESS OTHERWISE SPECIFIED: | | APVD | G PORTA | 30NOV00 | | SIZE | CAGE CODE | DRAWING NO | | | | | |
| 0 PLC ± - 1 PLC ± - 2 PLC ± 0.38 [.015] 3 PLC ± - 4 PLC ± - ANGLES ± - | | PRODUCT SPEC | - | | | A3 | 00779 | C-63755 | | | | | |
| MATERIAL | BRASS | FINISH | TIN OVER COPPER | 2 | WEIGHT | - | | SCALE | 8:1 | SHEET | 1 of 1 | REV | F |
| CUSTOMER DRAWING | | | | | | | | | | | | | |